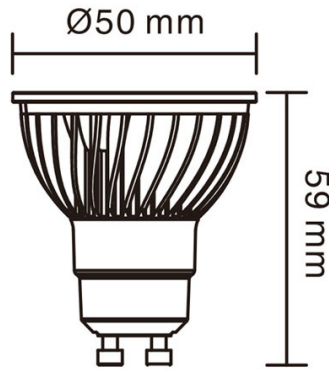


# 9W HALED III DGU10 621LM Dimmable

# CIVILIGHT



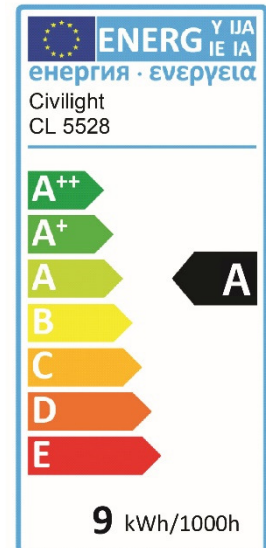
## Features

- Flicker-free light
- 99% of halogen lighting effect
- HALED optical design
- Smooth dimming
- Glare-free
- Switching power supply
- CE and RoHS2 compliant

## Applications

- Spotlighting for accents
- Display and shop windows
- Home, museum, hotel, theater,
- Bar, café and other indoor light

Part No.	HALED III DGU10 KC75T9 5528
Article number	CL 5528
Halogen Equivalent (W)	75
Wattage (W)	9
Dimmable	Yes
Lumens (lm)	621
CRI(Ra)	80
CCT (K)	2700
Beam Angle (deg)	36
Luminous Intensity(cd)	2000
Energy efficiency class	A
PF	0.85
Voltage (V)	AC220-240V
Frequency(Hz)	50/60
Current (mA)	40
Socket	GU10
Switching Cycles	100000
Lifespan(hrs)	25000
Working Temperature(°C)	-20 ~ 40
Storage Temperature (°C)	-20 ~ 60
Weight(g)	70
EAN code	6901029055283



\* Note: Data is subject to change without prior notice. Please visit [www.civilight.com](http://www.civilight.com) for further information.

## Cautions

- Power off before replacement
- Don't touch the lamp when lighting
- Don't use it in sealed fixture
- Indoor use

**CIVILIGHT LIGHTING CO., LTD**

Address 5/F, Building D, HongFa Hi-Tech Park, Shiyan, Shenzhen, China W: [www.civilight.com](http://www.civilight.com)

**VEZALUX B.V.**

Wernhoutseweg 38A, 4884 AW, Wernhout, The Netherlands

Tel: +31 (0)76 5971220, Fax: +31 (0)76-5976841 E: [info@vezalux.nl](mailto:info@vezalux.nl) W: [www.civilight.nl](http://www.civilight.nl)