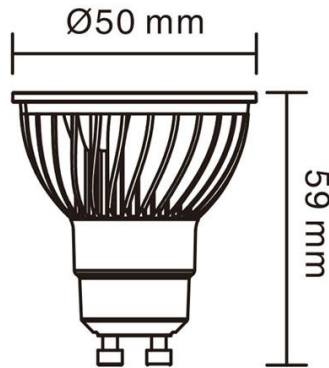


9W HALED III DGU10 540LM Dimmable

CIVILIGHT



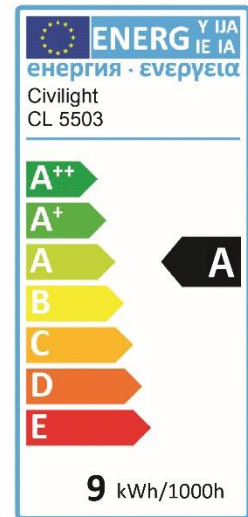
Features

- Flicker-free light
- 99% of halogen lighting effect
- HALED optical design
- Smooth dimming
- Glare-free
- Switching power supply
- CE and RoHS2 compliant

Applications

- Spotlighting for accents
- Display and shop windows
- Home, museum, hotel, theater,
- Bar, café and other indoor light

Part No.	HALED III DGU10 WC70T9 5503
Article number	CL 5503
Halogen Equivalent (W)	70
Wattage (W)	9
Dimmable	Yes
Lumens (lm)	540
CRI(Ra)	95
CCT (K)	3000
Beam Angle (deg)	36
Luminous Intensity(cd)	1500
Energy efficiency class	A
PF	0.9
Voltage (V)	AC220-240V
Frequency(Hz)	50
Current (mA)	40
Socket	GU10
Switching Cycles	100000
Lifespan(hrs)	25000
Working Temperature(°C)	-20 ~ 40
Storage Temperature (°C)	-20 ~ 60
Weight(g)	70
EAN code	6901029055030



* Note: Data is subject to change without prior notice. Please visit www.civilight.com for further information.

Cautions

- Power off before replacement
- Don't touch the lamp when lighting
- Don't use it in sealed fixture
- Indoor use

CIVILIGHT LIGHTING CO., LTD

Address 5/F, Building D, HongFa Hi-Tech Park, Shiyan, Shenzhen, China W: www.civilight.com

VEZALUX B.V.

Wernhoutseweg 38A, 4884 AW, Wernhout, The Netherlands

Tel: +31 (0)76 5971220, Fax: +31 (0)76-5976841 E: info@vezalux.nl W: www.civilight.nl