

## Aris Downlight

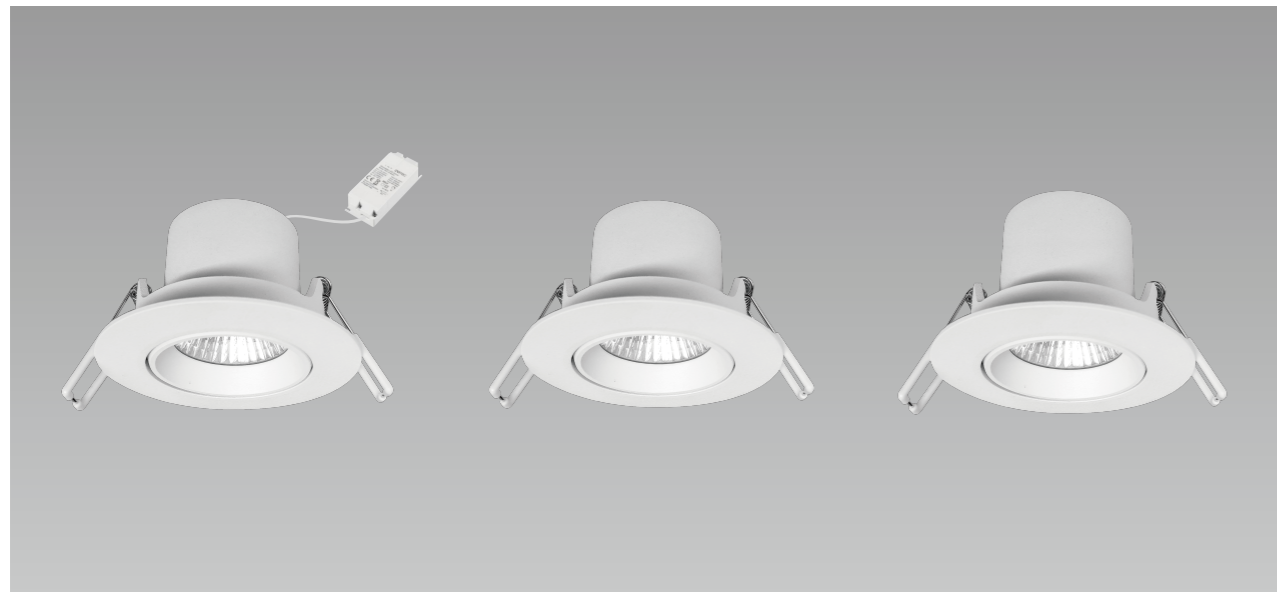
Unique HALED optic design, adjustable



Comfortable and suitable light creates perfect ambiance for different spaces, the lamp enables people to choose and control the light, which evokes their feelings and affect the emotions. Aris Downlight Based on various demands of light at different moments.

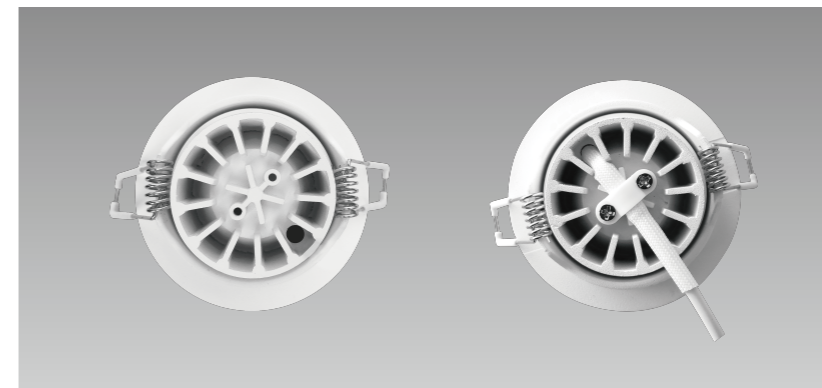
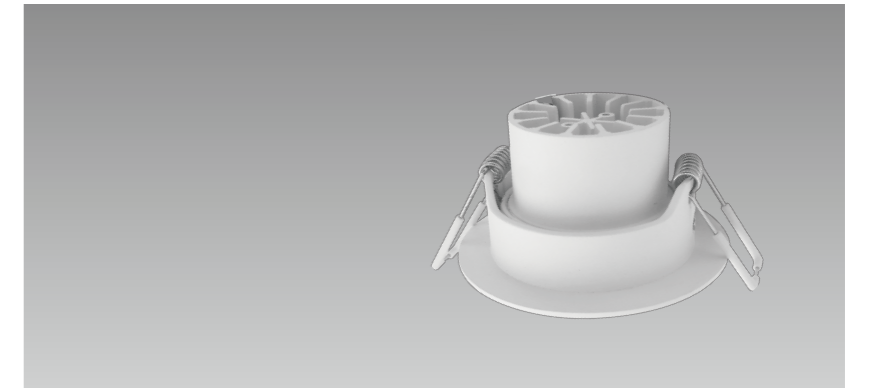
# Aris Downlight

Unique design selection



Elegant design

Special adjustable ring design avoids the gap by adjusting, and the high-end heatsink design makes the lamps very professional



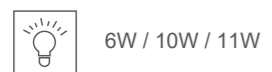
COB / EMC



CRI > 95, R9 > 90



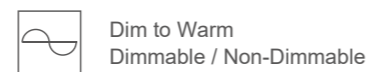
24° / 36°



6W / 10W / 11W



AC220-240V 50/60Hz



Dim to Warm  
Dimmable / Non-Dimmable

Cable clip

Junction Connector

# Aris Downlight

Newly designed lamp

HALED® Optics design

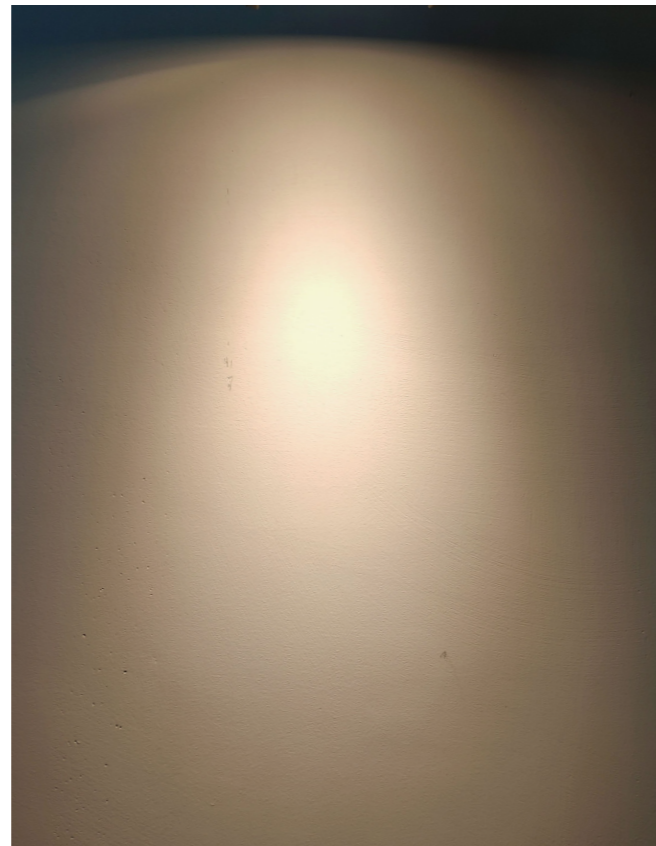


HALED optical light effect is similar like traditional halogen spots, with high light intensity, anti-glare, and the UGR is low, makes the atmosphere comfortable and kind. Designed by SUNWHITE® Technology, with the nature light, just like sunlight.

HALED® Optics design



Normal brand

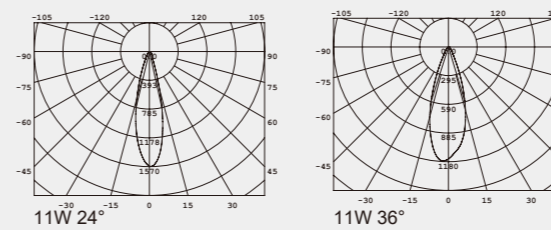
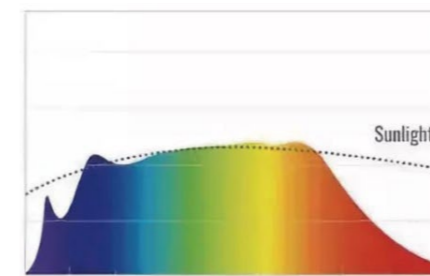
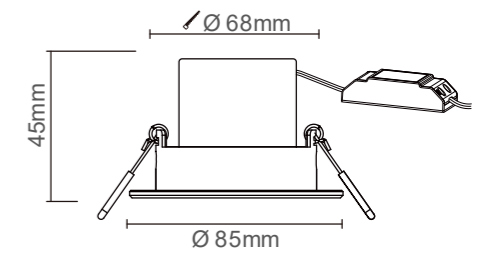


# Aris Downlight Driver Outside SUNWHITE® Technology

Designed By SUNWHITE® Technology, The light is nature light like sunlight ,

Color temperature: :3000K/4000K/5000K  
Voltage: AC220-240V 50/ 60Hz PF>0.95  
CRI: 97 R9>95  
Beam Angle(°): 15° / 24° / 36°  
Dimming Type: Triac / 1-10V / DALI/ Bluetooth  
Span Life: 40000hrs  
IP level: IP20

**SunLike** LED Inside



### Photometric Information

11W  
2700K/ 3000K/ 4000K/ 5700K  
24° / 36°

Luminaire

Voltage: AC220-240V  
50/ 60Hz  
PF>0.95

Part No.: CTCA5611PW

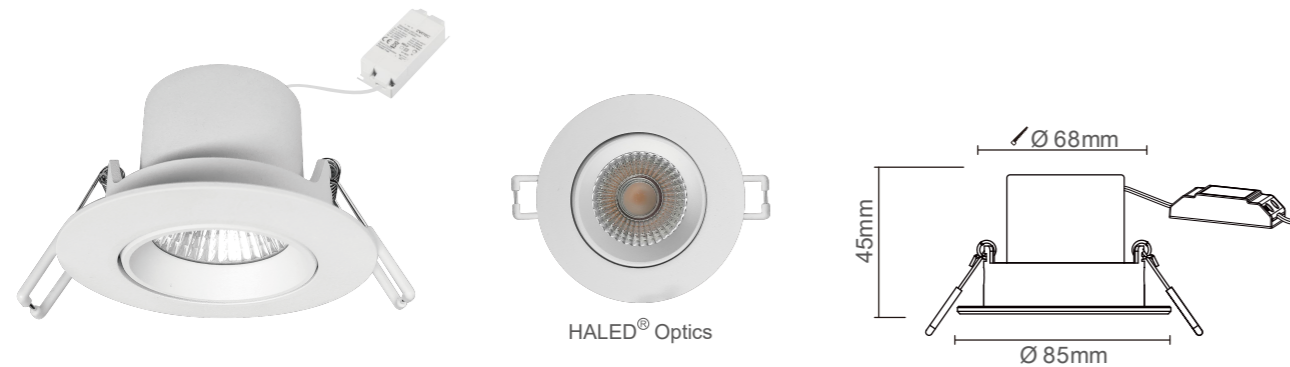
CCT	Ra	Wattage	Lumen / Lux 24°	Lumen / Lux 36°
2700K	97	11W	550lm/ 1500cd	550lm/ 1100cd
3000K	97	11W	550lm/ 1500cd	550lm/ 1100cd
4000K	97	11W	600lm/ 1650cd	600lm/ 1250cd
5000K	97	11W	600lm/ 1650cd	600lm/ 1250cd

# Aris Downlight Driver Outside

Dim to Warm & Dimmable

With Dim To Warm and Dim To Color Changing functions, can match the Triac Dimming, 1-10V Dimming and DALI system. People can control the light with the dimming function and choose different color temperature and brightness for different lighting requirement.

Color temperature: 3000K/ 4000K/ 5000K/ 2700K~2100K  
 Voltage: AC220-240V 50/ 60Hz PF>0.95  
 Ra: 97 R9>90  
 Beam Angle(°): 15°/ 24°/ 36°/  
 Dimming Type: Triac / 1-10V / Dali  
 Span Life: 40000hrs  
 IP level: IP20

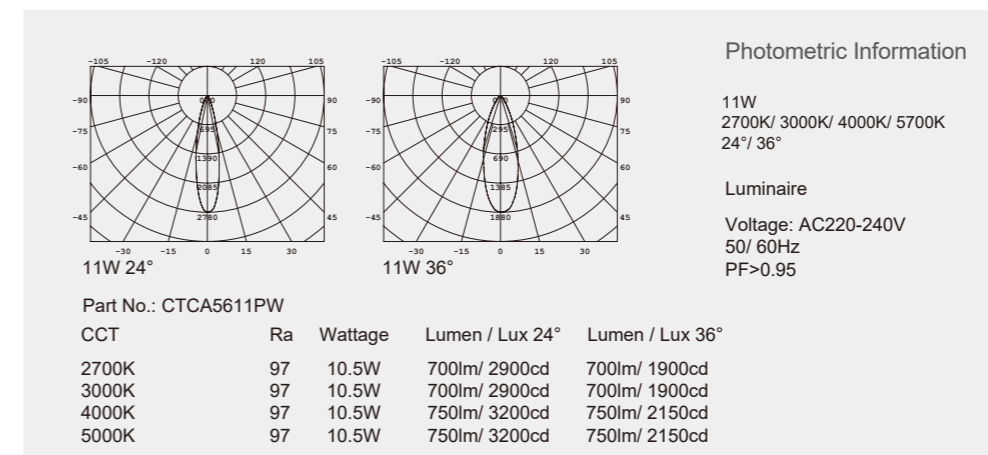
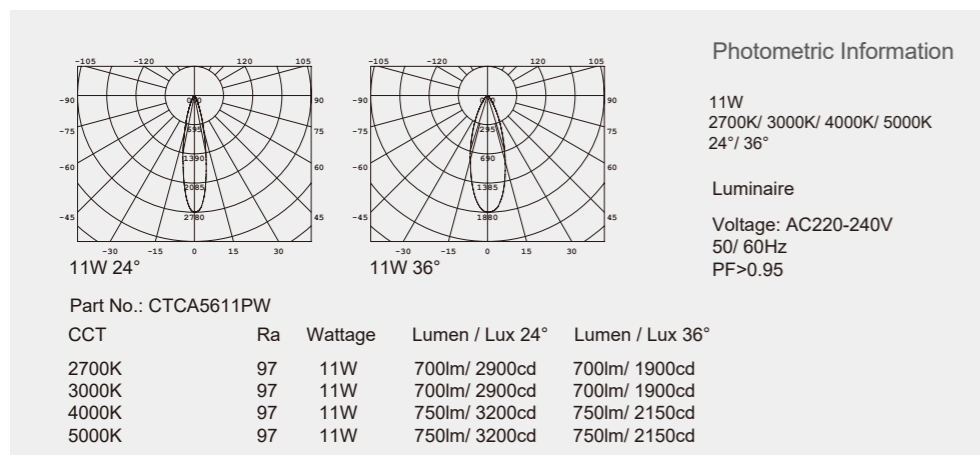
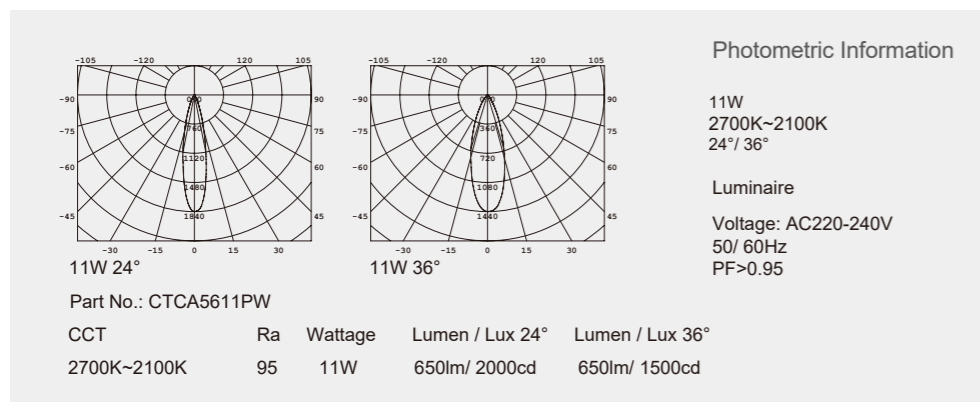
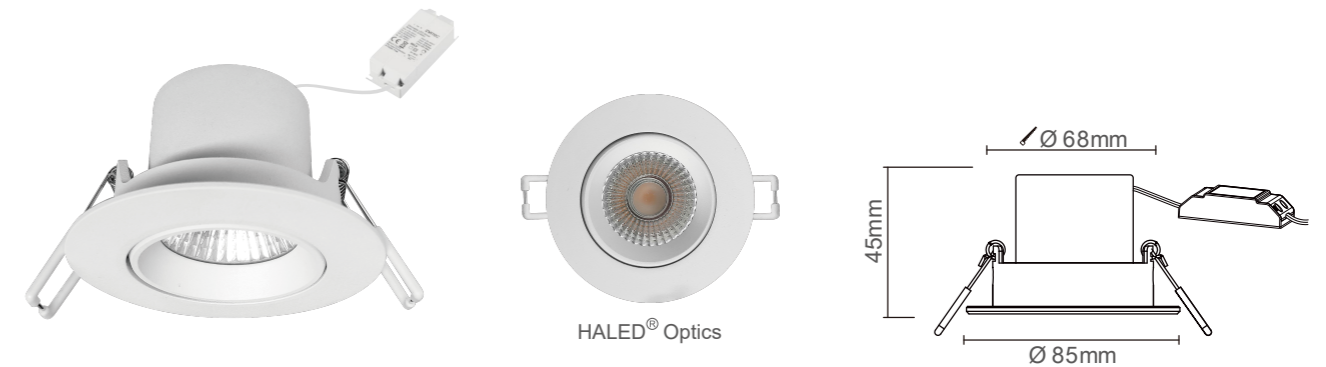


# Aris Downlight Driver Outside

Non-Dimmable

Available color temperature can meet all kind of requirement from different area, flexible and reduce the inventory.

Color temperature: 2700K/ 3000K/ 4000K/ 5000K  
 Voltage: AC220-240V 50/ 60Hz PF>0.95  
 Ra: 97 R9>90  
 Beam Angle(°): 15°/ 24°/ 36°/  
 Dimming Type: Non-Dimmable  
 Span Life: 40000hrs  
 IP level: IP20



# Aris Downlight Driver Inside

Dim to Warm & Dimmable

With Dim To Warm and Dim To Color Changing functions, can match the Triac Dimming.

Color temperature: 3000K/ 4000K/ 5000K/ 5700K/ 2700K~2100K

Voltage: AC220-240V 50/ 60Hz PF>0.95

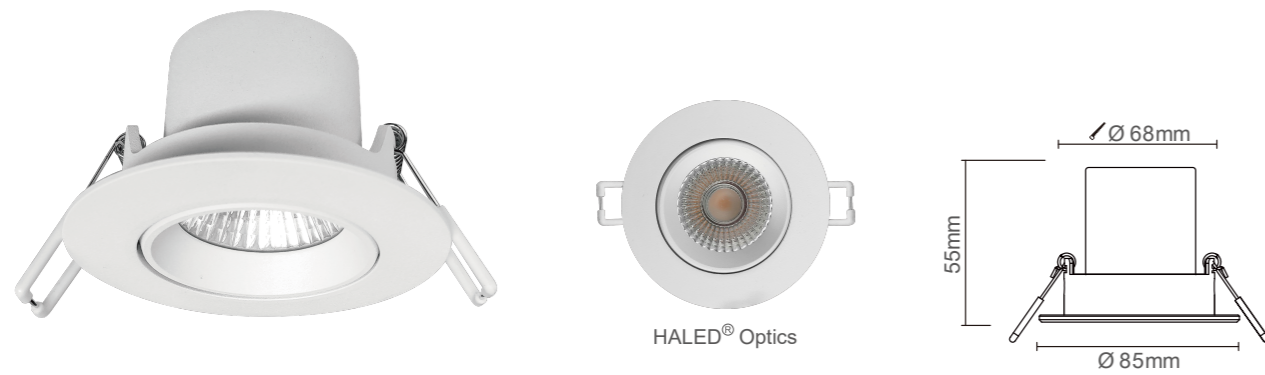
Ra: 97 R9>90

Beam Angle(°): 15°/ 24°/ 36°/

Dimming Type: Triac / 1-10V / Dali

Span Life: 25000hrs

IP level: IP20



# Aris Downlight Driver Inside

Non-Dimmable

Available color temperature can meet all kind of requirement from different area, flexible and reduce the inventory.

integrated driver for easy installation

Color temperature: 2700K/ 3000K/ 4000K/ 5000K/ 5700K

Voltage: AC220-240V 50/ 60Hz PF>0.95

Ra: 97 R9>90

Beam Angle(°): 15°/ 24°/ 36°/

Dimming Type: Non-Dimmable

Span Life: 25000hrs

IP level: IP20

